

T 800-2
Glass-metal triode

2.5 kW

- Output power:
2.5 kW in CW mode
- Anode voltage: 6 kV
- Anode dissipation:
750 W max.
- Frequencies up to 50 MHz
- Radiation cooled





T 800-2

The T 800-2 is a medium-power triode designed specifically for industrial applications. This tube uses a coaxial design and glass-metal technology. It may be operated as an RF oscillator for industrial use in C class. For operation in

pulse mode, the parameters depends on each equipment characteristics, contact us for specific information.

This product is designed, developed and manufactured at an ISO 9002 registered production site.

Electrical characteristics

Cathode	thoriated tungsten		
Heating	direct		
Filament voltage (+ 5 %, - 10 %)	6.3	V	
Filament current	32.5	A	
Interelectrode capacitances:			
• grid -anode	6.2	pF	
• grid-cathode	10.5	pF	
• cathode-anode	0.25	pF	
Amplification factor	22		
Transconductance (Va: 4 kV, Ia: 190 mA)	5.1	mA/V	

Mechanical characteristics

Operation position	vertical		
Weight	600	g	approx.
Dimensions	see outline drawing		

Cooling

Cooling method	radiation / low velocity air flow		
Temperature of the bulb	350	°C	max.
Temperature of the glass-metal seals	220	°C	max.

Maximum ratings

Frequency	50	MHz
Anode voltage	7	kV
Peak cathode current	6.5	A
Anode dissipation	750	W
Grid dissipation	150	W

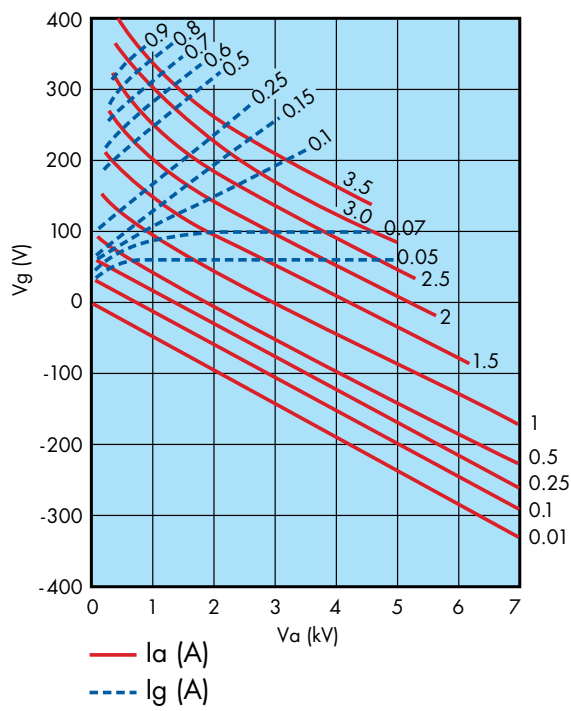
Typical operation

RF oscillator C class, up to 30 MHz

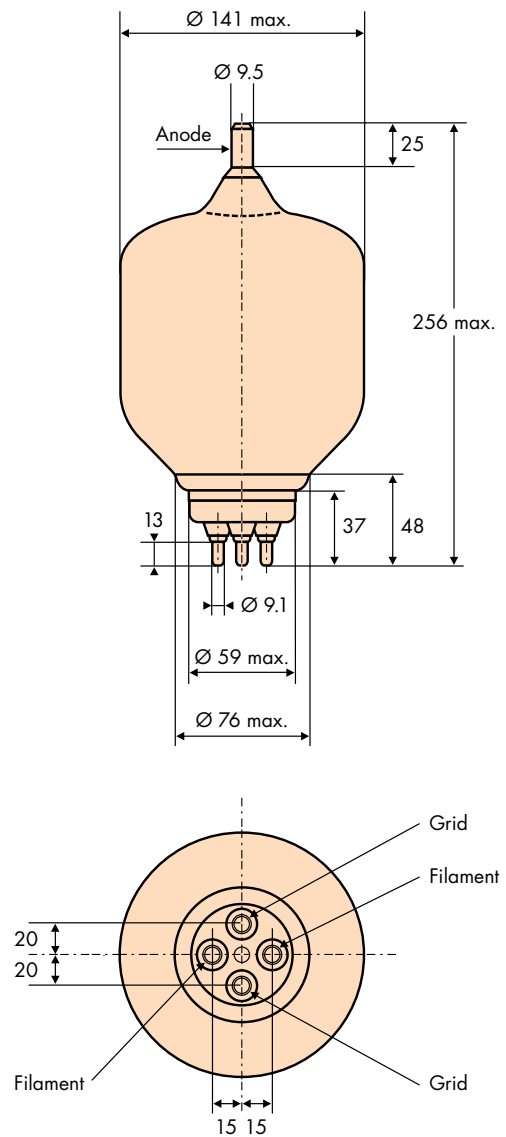
Examples	1	2	3	4	
Anode voltage	6	5	4	3	kV
Anode current	550	660	710	710	mA
Anode input power	3.3	3.3	2.84	2.13	kW
Anode output power (1)	2.5	2.5	2.04	1.44	kW
Anode dissipation	730	730	700	590	W
Grid current	90	130	160	175	mA
Grid dissipation	20	35	43	45	W
Grid resistance	4.7	3.1	2.2	1.7	kΩ
Efficiency	76	75	72	67.5	%

(1) Circuit losses not included.

Constant current characteristics



Outline drawing (dimensions in mm)





This document cannot be considered to be a contractual specification. The information given herein may be modified without notice due to product improvement or further development. Consult Thales Electron Devices before making use of this information for equipment design.

For further information, please contact:

THALES ELECTRON DEVICES

2 bis, rue Latécoère - 78941 Vélizy Cedex - France
Tel: + 33 1 30 70 35 00 - Fax: + 33 1 30 70 35 35
www.thalesgroup.com/electrondevices